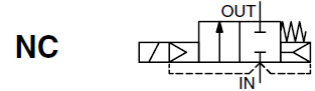


Description:

- Two way shut-off valves for automatic control of air, inert gas, water, oil and other gases/liquids compatible with the seal materials used
- Valves require a minimum ΔP of 0,35 bar

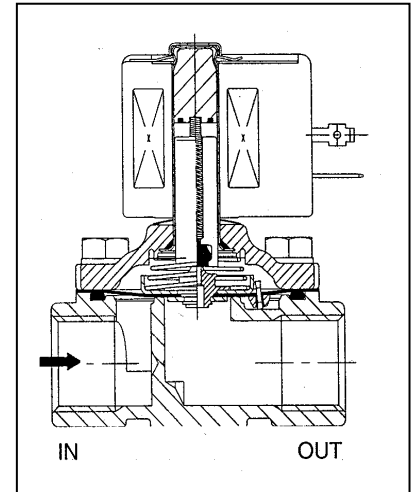


General:

Medium *	Air, neutral gases, water, oil
Pressure difference	See characteristics valve body [1 bar = 100 kPa]
Maximum viscosity	65 cSt (mm ² /s)
Response time	15 to 60 ms

Parts in contact with the medium:*

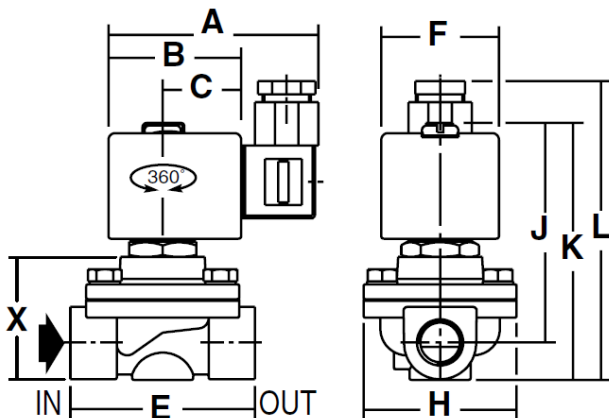
Housing	Brass
Guide pipe	Stainless steel
Armature of magnet and counter-armature	Stainless steel
Springs	Stainless steel
Valve seat	Brass
End ring	Copper
Insulation class (coil)	F (AC)
Electrical connection	ISO 4400; connector socket (PG 11P)
Electrical design	IEC 335



* The resistance of the parts in contact with the medium must be checked separately.



Bauform 3



Solenoid valve, normally, 230 V, 50 to 60 Hz, closed, pilot-operated

Art. No.	Type No.	Thread	DN	A mm	B mm	C mm	E mm	F mm	H mm	J mm	K mm	L mm	X mm
102854	MV 1216	Rp 3/8	16	75.0	45.0	27.0	70.0	39.0	58.0	72.0	86.0	103.0	46.0
102855	MV 1226	Rp 3/8	16	75.0	45.0	27.0	70.0	39.0	58.0	72.0	86.0	103.0	46.0
102856	MV 1217	Rp 1/2	16	75.0	45.0	27.0	70.0	39.0	58.0	72.0	86.0	103.0	46.0
102857	MV 1227	Rp 1/2	16	75.0	45.0	27.0	70.0	39.0	58.0	72.0	86.0	103.0	46.0
102858	MV 1218	Rp 3/4	19	75.0	45.0	27.0	70.0	39.0	58.0	72.0	86.0	103.0	46.0
102859	MV 1228	Rp 3/4	19	75.0	45.0	27.0	70.0	39.0	58.0	72.0	86.0	103.0	46.0

Solenoid valve, normally closed, 24 V DC (direct current), pilot-operated

Art. No.	Type No.	Thread	DN	A mm	B mm	C mm	E mm	F mm	H mm	J mm	K mm	L mm	X mm
102867	MV 1216 G	Rp 3/8	16	80.0	50.0	30.0	70.0	45.0	58.0	85.0	97.0	111.0	46.0
102868	MV 1226 G	Rp 3/8	16	80.0	50.0	30.0	70.0	45.0	58.0	85.0	97.0	111.0	46.0
102869	MV 1217 G	Rp 1/2	16	80.0	50.0	30.0	70.0	45.0	58.0	85.0	97.0	111.0	46.0
102870	MV 1227 G	Rp 1/2	16	80.0	50.0	30.0	70.0	45.0	58.0	85.0	97.0	111.0	46.0
102871	MV 1218 G	Rp 3/4	19	80.0	50.0	30.0	70.0	45.0	58.0	85.0	97.0	111.0	46.0
102872	MV 1228 G	Rp 3/4	19	80.0	50.0	30.0	70.0	45.0	58.0	85.0	97.0	111.0	46.0

Solenoid valve, normally, 230 V, 50 to 60 Hz, closed, pilot-operated

Art. No.	Type No.	Thread	Sealant	Operating pressure		Medium temperature		Insulation class	Weight *
				min. / max. (1)	bar	min. / max. (2)	°C		
102854	MV 1216	Rp 3/8	NBR	0.35 / 14		-20 / 85		F	0.8
102855	MV 1226	Rp 3/8	FKM	0.35 / 14		-15 / 120		F	0.8
102856	MV 1217	Rp 1/2	NBR	0.35 / 14		-20 / 85		F	0.8
102857	MV 1227	Rp 1/2	FKM	0.35 / 14		-15 / 120		F	0.8
102858	MV 1218	Rp 3/4	NBR	0.35 / 9		-20 / 85		F	0.8
102859	MV 1228	Rp 3/4	FKM	0.35 / 9		-15 / 120		F	0.8

Solenoid valve, normally closed, 24 V DC (direct current), pilot-operated

Art. No.	Type No.	Thread	Sealant	Operating pressure		Medium temperature		Insulation class	Weight *
				min. / max. (1)	bar	min. / max. (2)	°C		
102867	MV 1216 G	Rp 3/8	NBR	0.35 / 14		-20 / 85		F	0.9
102868	MV 1226 G	Rp 3/8	FKM	0.35 / 14		-15 / 120		F	0.9
102869	MV 1217 G	Rp 1/2	NBR	0.35 / 14		-20 / 85		F	0.9
102870	MV 1227 G	Rp 1/2	FKM	0.35 / 14		-15 / 120		F	0.9
102871	MV 1218 G	Rp 3/4	NBR	0.35 / 9		-20 / 85		F	0.9
102872	MV 1228 G	Rp 3/4	FKM	0.35 / 9		-15 / 120		F	0.9

* Inkl. Solenoid and connector

(1) For detailed pressure information each medium, please see characteristics valve body.

(2) At temperatures below zero the medium may freeze and damage the valve.

Characteristics valve body:

Connec- tion	Nom. width	Flow coefficient (Kv)		Working pressure difference (bar)				Coil Type No.	Coil Type No.	Solenoid valve Art. No.				
				min.	max.		min.					max.		
					Air/gas	=				Water / Oil<65cSt	=			
	(mm)	(m³/h)	(l/min)		~	=	~	=	~	=	NBR	FKM		
Rp 3/8	16	2.6	43	0.35	14	9	10	7	400-325- 1XX	400-425- 1XX	102854	102855		
											102867	102868		
Rp 1/2	16	3.4	57	0.35	14	9	10	7			102856	102857		
											102869	102870		
Rp 3/4	19	4.3	72	0.35	9	7	9	6			102858	102859		
											102871	102872		

Electrical data:

Coils (2)

12V - 24V → Please use the suffix »G« to order **DC valves**

AC (~) 24V/50Hz - 110V/50Hz - 230V/50Hz

(1) At temperatures below zero the medium may freeze and damage the valve.

(2) Other voltages and 60 Hz frequency on request.

Coil Type No.	Power				Ambient temperature (1) (°C) **	Max. perm. operating temperature (°C) ***	Max. perm. temperature rise (°C) *	Insulation class	Degree of protection (with socket connector fitted)
	Pickup ~	Holding ~		hot / cold =					
	(VA)	(VA)	(W)	(W)					
400-325-1XX	34,0	15,6	6,0	7 / 9,7	-20 to 75	155	80	F	IP 65
400-425-1XX	78,0	35,0	16,7	----					

* Coil temperature after energising

** Additional effect of the medium temperature within the value range stated in the catalogue

*** At 100 % ED

Special versions (on request):

- EPDM, CR or PTFE diaphragms, seals and valve seat are available
- Coil with higher performance
- Explosion proof enclosures for use in zones 1/21-2/22, categories 2-3 to ATEX Directive 94/9/EG
- Electrical enclosures according to "NEMA" standards are available
- Mounting bracket
- Socket connector with light emitting diode and protective circuit

Installation:

- The solenoid valves can be mounted in any position
- Threaded connections Rp (ISO 7-1); other threaded connections on request
- Assembly and servicing instructions enclosed with each valve